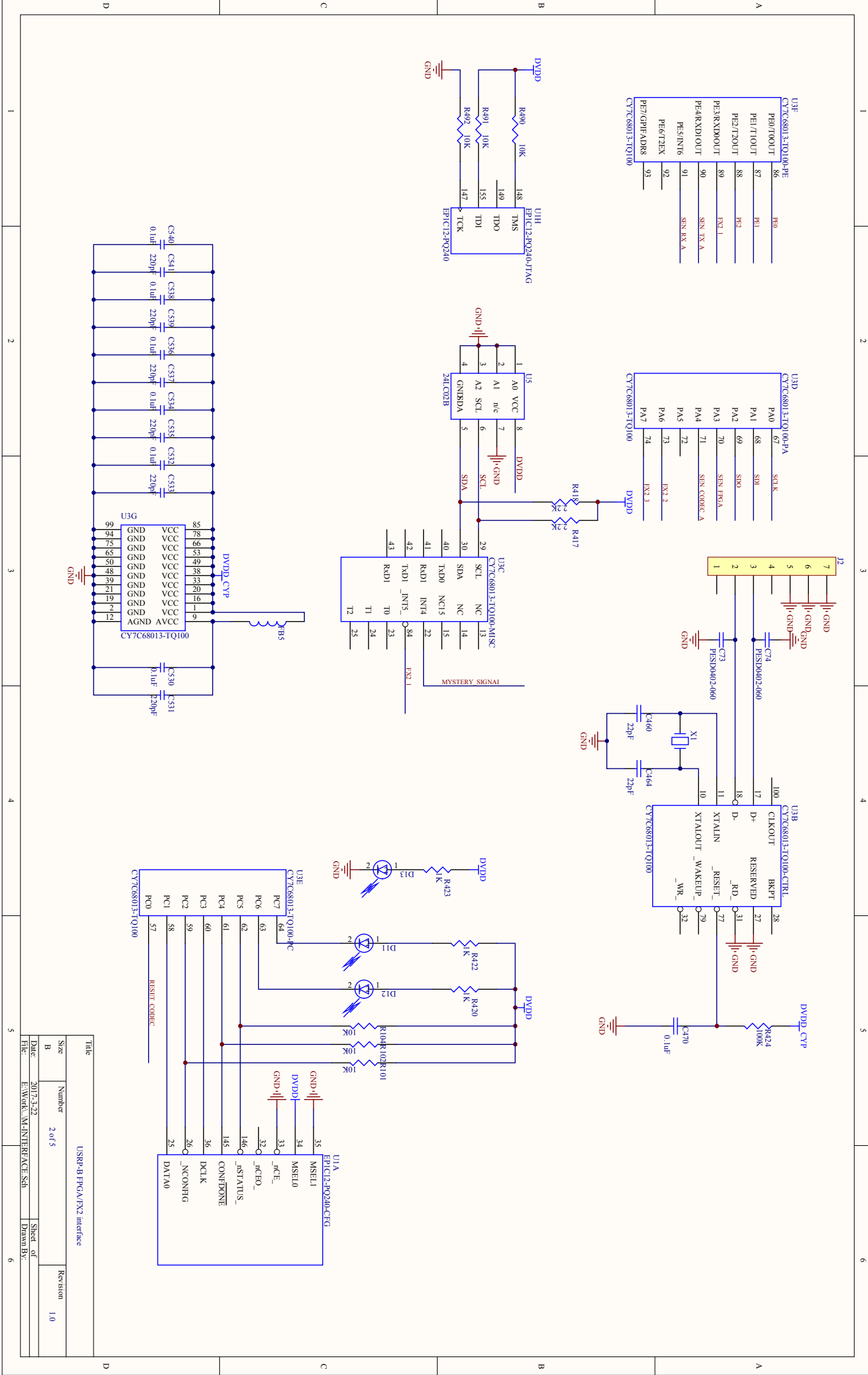
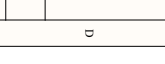
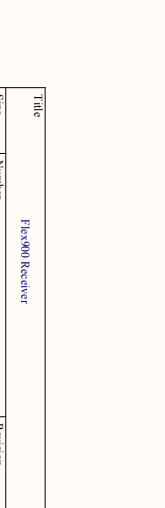
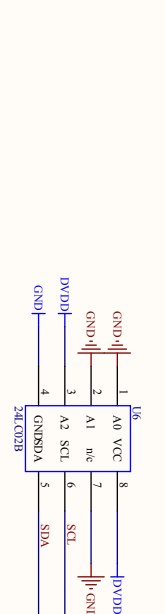
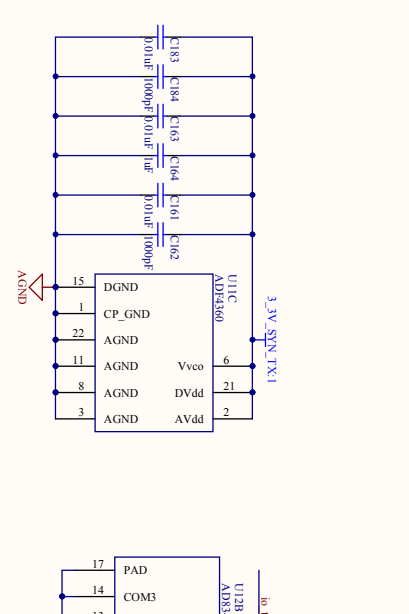
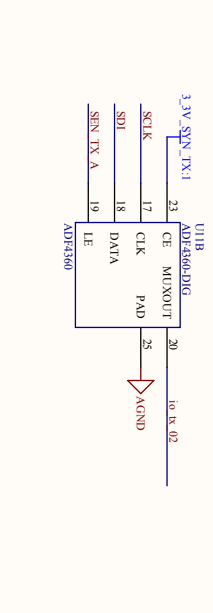
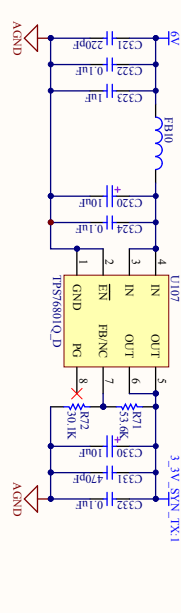
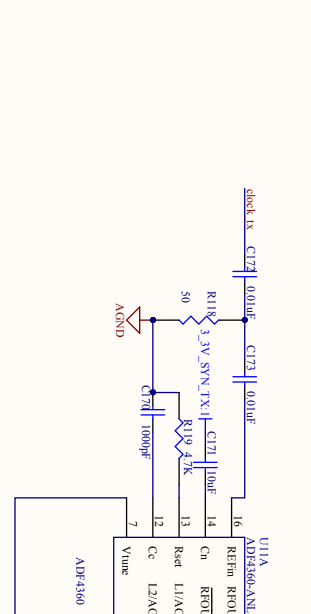
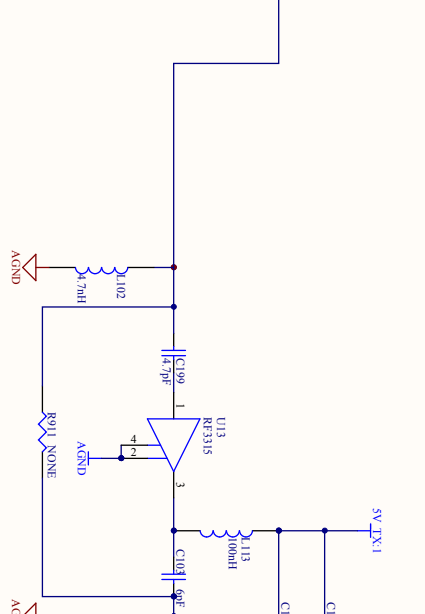
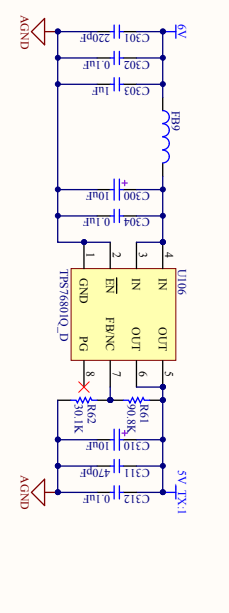
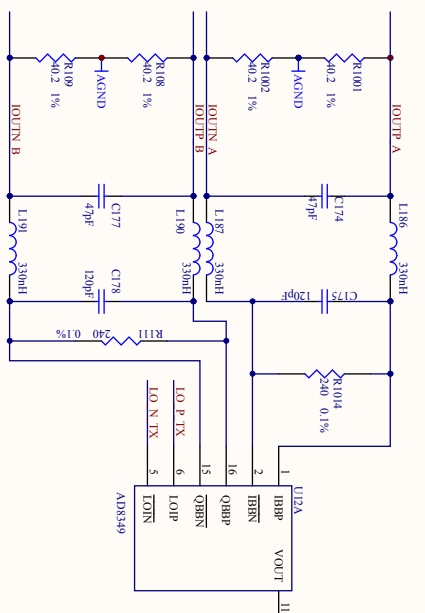


Title		USRP-B Power	
Size	Number	1	Revision
B		1 of 5	1.0
Date	2017-3-22	Sheet	of
File	E:\Work\ML-POWER_Ssb	Drawn By	



Title		USRP-B-PVCA/FX2 interface	
Size	Number	2 of 5	
B			
Date	2017-3-22	Sheet of	Revision
File	E:\Work\MAIN\INTERFACE\SH	Drawn By:	1.0

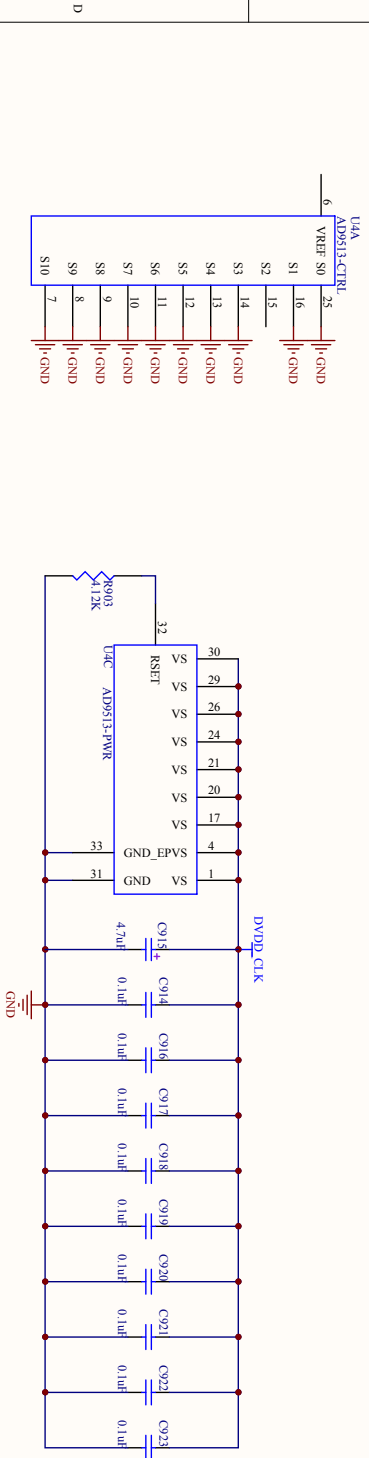
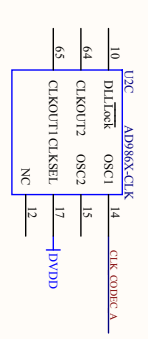
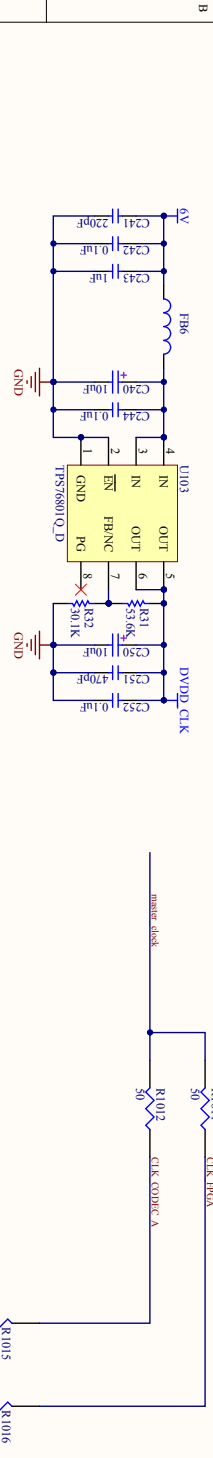
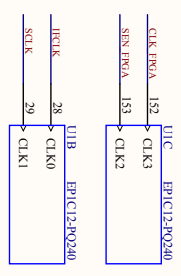
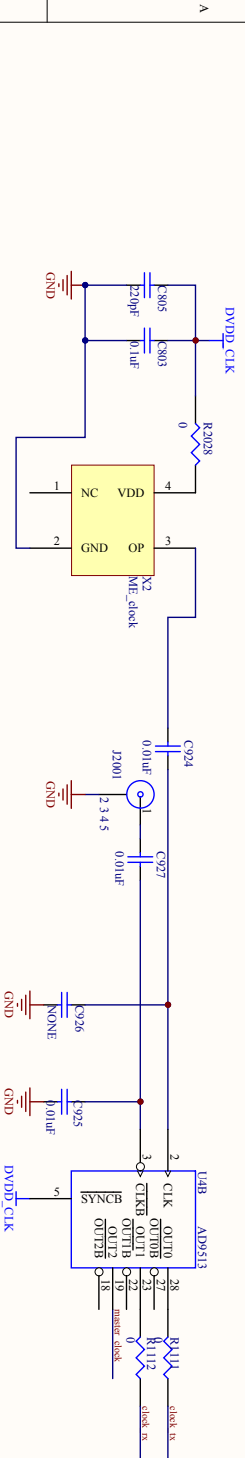
1 2 3 4 5 6



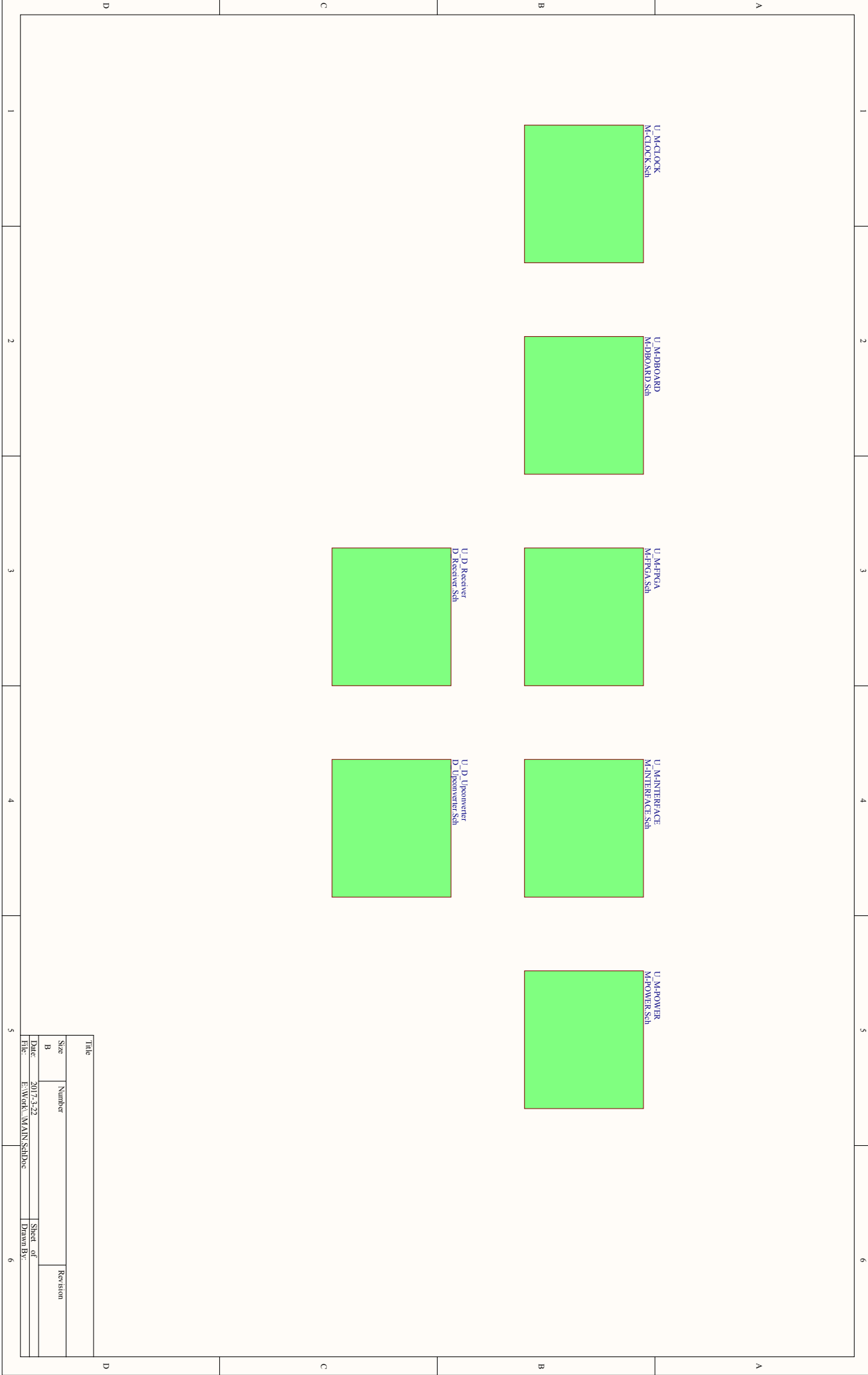
Title	Number	Revision
Fic9300 Receiver	2 of 3	

Date:	Sheet of	Revision
2017-3-22	1 of 3	

File: E:\WORK\LD\Unnumbered Sch
Drawn By:



Title		USRP-B Clocking	
Size	Number	5	Revision
B			1.0
Date	2017-3-22	Sheet	of
File	E:\Work\MM-CLOCK_Sch	Drawn	By:



Title		Revision	
Size	Number		
B			
Date	2017-3-22	Sheet of	
File	E:\Work\MAIN\SCHDoc	Drawn By:	

1 2 3 4 5 6

A B C D